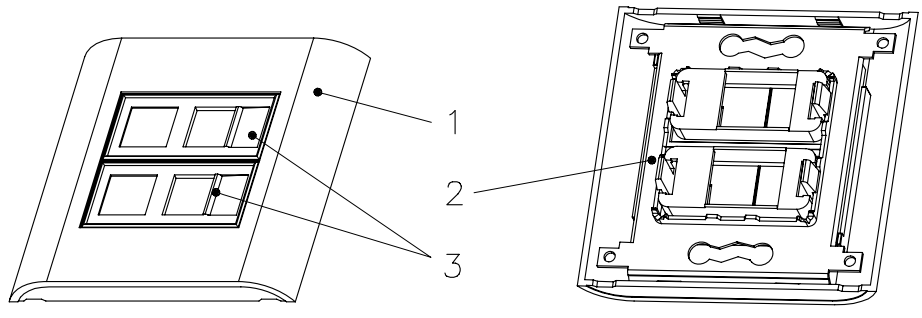
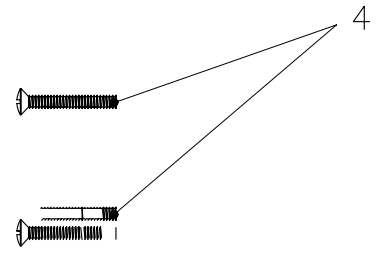


1 2 3 4 5 6

A



B



SCALE 1/2

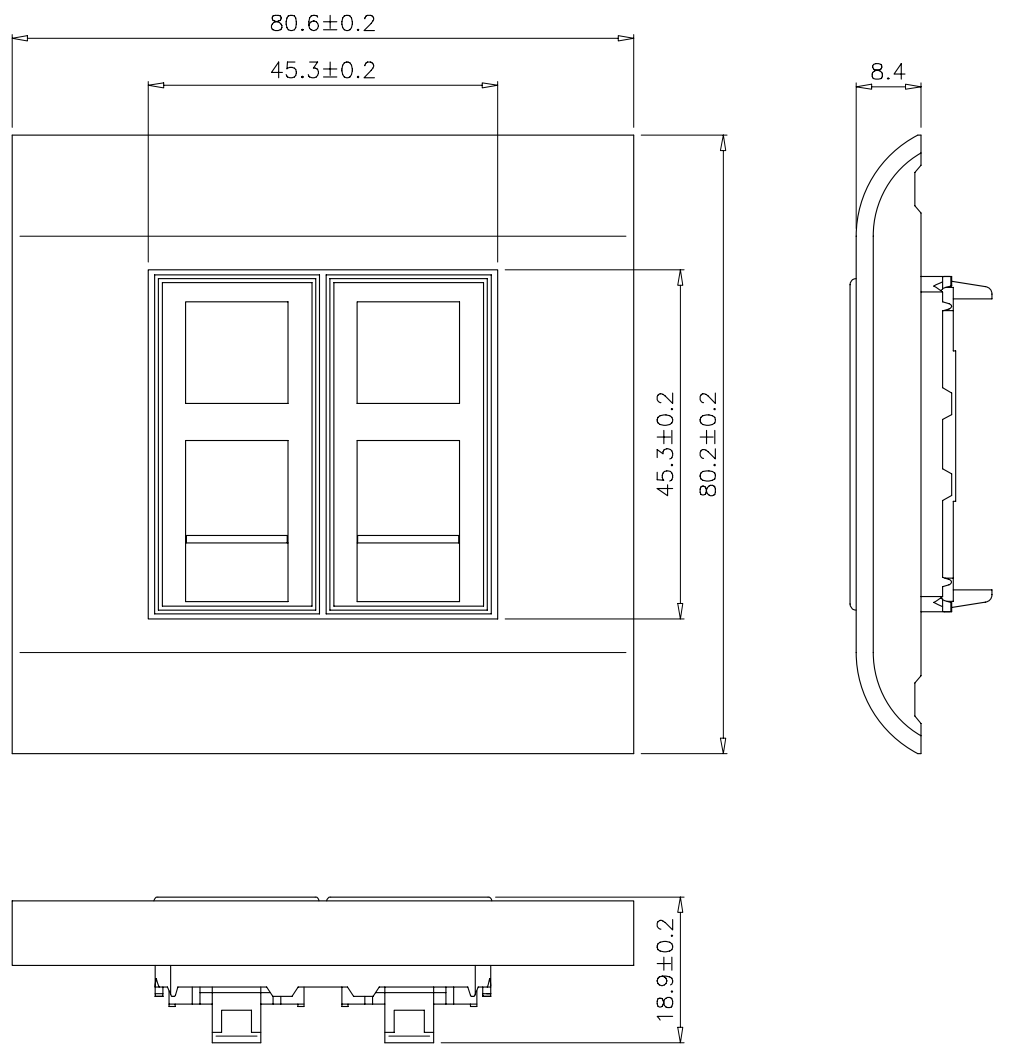
C

Specification :

Material :

- 1.colour code:RAL9010
- 2. Plate : ABS, UL 94-HB.
- 3. Bracket : Metal, multicolor planted.
- 4. Modular Insert :
 - 3-1. Back Cover : ABS, UL 94-HB.
 - 3-2. Front Cover : ABS, UL 94-HB.
 - 3-3. Shutter : ABS, UL 94-HB.
 - 3-4. Spring : Stainless steel.
- 5. Screw : Steel, M3.5 x L22.7 mm.

D



A

B

C

D

1 2 3 4 5 6

GENERAL TOLERANCE OF DIMENSIONS X.XXX ±0.005 X.XX ±0.05 X.X ±0.1	DRAWING	21.APR.2007	Olina			
	CHECK	21.APR.2007	Maer			
	APPROVAL	21.APR.2007	Yty			
	DATE		NAME	ITEM NO.: ET-25041		
SCALE 1/1 (A4)		UNIT mm	DES.: French Flush Plate, Double Port			
DRAWING NO. ET-25041		DRAWING CLASSIFICATION		S	SHEET	1 OF 1

10cm