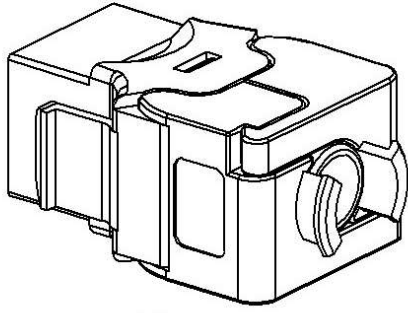
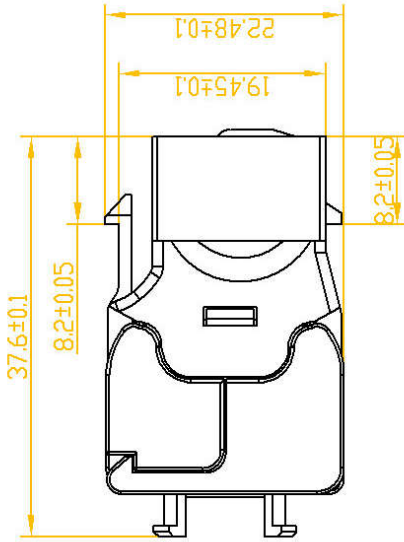
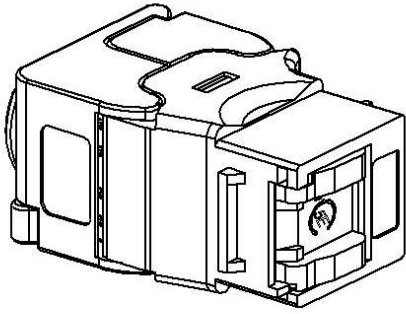
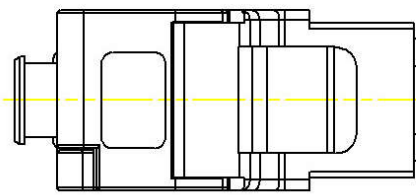
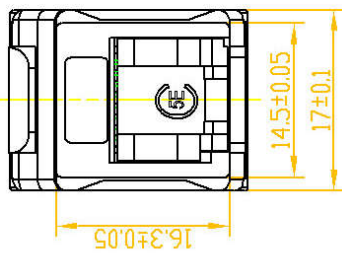
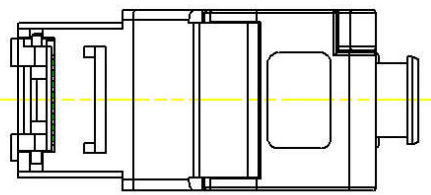


SLRD001



6.3

REV	ECO	DESCRIPTION	DRFT	CHKD

**NOTES:**

- ELECTRICAL:**  
 1. VOLTAGE RATING: 125 VAC RMS  
 2. CURRENT RATING: 1.5 AMP  
 3. CONTACT RESISTANCE: 100 MILLIOHMS MAX  
 4. INSULATION RESISTANCE: 1000 MEGOHMS MIN @ 500 VDC  
 5. DIELECTRIC STRENGTH: 750 VAC RMS 60Hz, 1MIN
- ENVIRONMENTAL:**  
 1. STORAGE: -40° TO +70°  
 2. OPERATION: -10° TO +60°
- CONFORM TO TIA/EIA 568B CATEGORY C5e  
 MATES WITH MODULAR PLUG CONFORMING TO FCC PART 68, SUBPART F.
- MECHANICAL:**  
 1. HOUSING MATERIAL: QIMEI PC110  
 2. INSERT MATERIAL: PBT+30%GF  
 3. PCB MATERIAL: FR-4 T=1.6mm  
 4. CONTACT MATERIAL: PHOSPHOR BRONZE STAMP PIN T=0.3mm  
 5. IDC CONTACT MATERIAL: PHOSPHOR BRONZE T=0.50mm WITH TIN PLATING  
 6. RJ45 JACK LIFE: 750 TIMES MIN  
 7. IDC LIFE: 200 TIMES MIN  
 8. WIRE: AWG 24~26  
 9. TIA CAT 6a PERM. LINK TEST: WORST PAIR NEXT MARGIN ≥ 3.0dB  
 10. RETENTIVENESS OF INSERTION STRUCTURE: 50N 60±5s

DETACHED LISTS		TITLE	
DATE	DATE	DATE	DATE
CHKD	CHKD	DATE	DATE
MFD	MFD	DATE	DATE
APPVL	APPVL	DATE	DATE
REV	REV	DATE	DATE
MATERIAL:	11201156		
PART NO.	SKJ-X33111-1		
DRAWING NO.			

UTP Cat.5e Toolless Keystone Jack, 180 Degree, with Shutter

MM	(INCH)
0.00-20.00	±0.10
20.00-50.00	±0.15
50.00-100.00	±0.20
100.00-	±0.25
angle	±30°

FRIST ANGLE PROJECTION